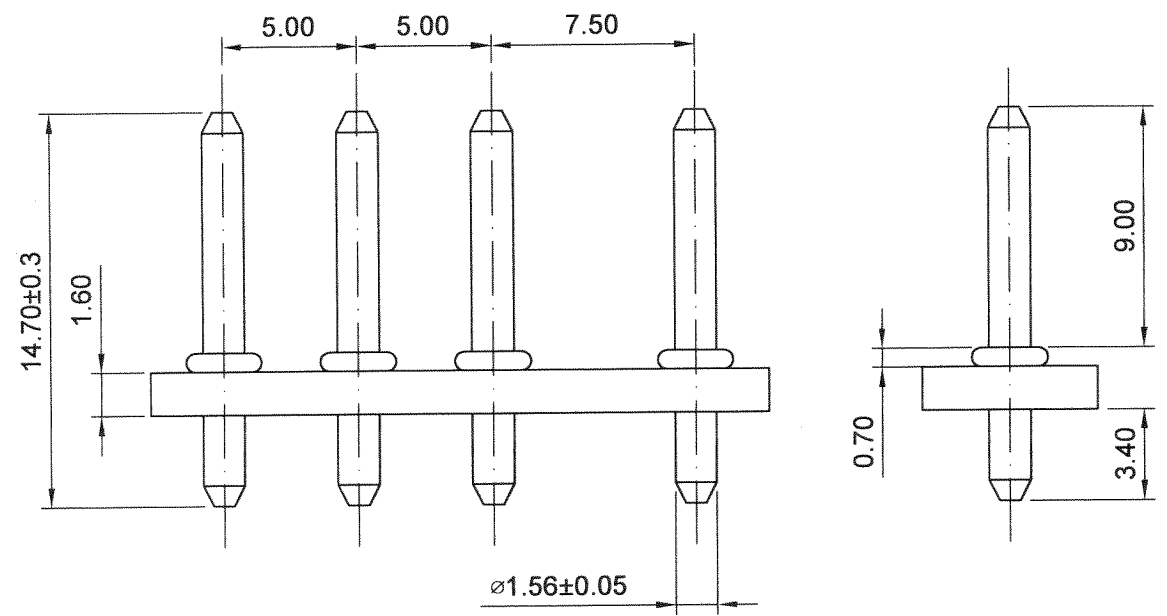
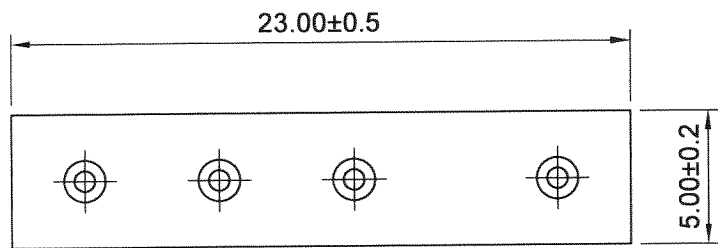


RoHS
Compliant
2002/95/EC

SPECIFICATION
 POLES : 1-6
 CURRENT RATING : 5A, AC, DC, 250V
 WITHSTANDING VOLTAGE : 1500 VAC/min.
 INSULATION RESISTANCE : 1000 MΩ min.
 TEMPERATURE RANGE : -25°C ~ +85°C
 CONTACT RESISTANCE : INITIAL VALUE / 10mΩ
 MAX, AFTER ENVIRONMENTAL TESTING / 20mΩ MAX.
 PIN : BRASS, TIN PLATED
 INSULATOR MATERIAL : PHENOLIC BAKELITE(94V-0)



JAWS 兆旭股份有限公司
JAWS CO., LTD.
 7F-1, NO.31, Lane 169, Kang Ning Street,
 Hsichih, Taipei Hsien, Taiwan.
 TEL: 886-2-2692-2898
 FAX: 886-2-2692-2618
 Http://www.jaws.com.tw

THIRD ANGLE PROJECTION
 DESIGN UNITS: mm INCH
 SIZE: **A4** SCALE: **FREE** SHEET: **1/1**
 CPN NO.:
 DAN NO.: **S9607-077**

TITLE: **1.56Ø POWER WAFER**
 PARTS NO.: **4155A-WS-04T-B**
 DWG NO.: **JAWS-SOP-4155A003** REV. **01**

GENERAL TOLERANCES: ±0.30	DRAWN	游熾瑩	DATE	96/07/24
	CHECK	郭坤峰	DATE	96/7/24
	APPROVE	陳世寬	DATE	96.7.25